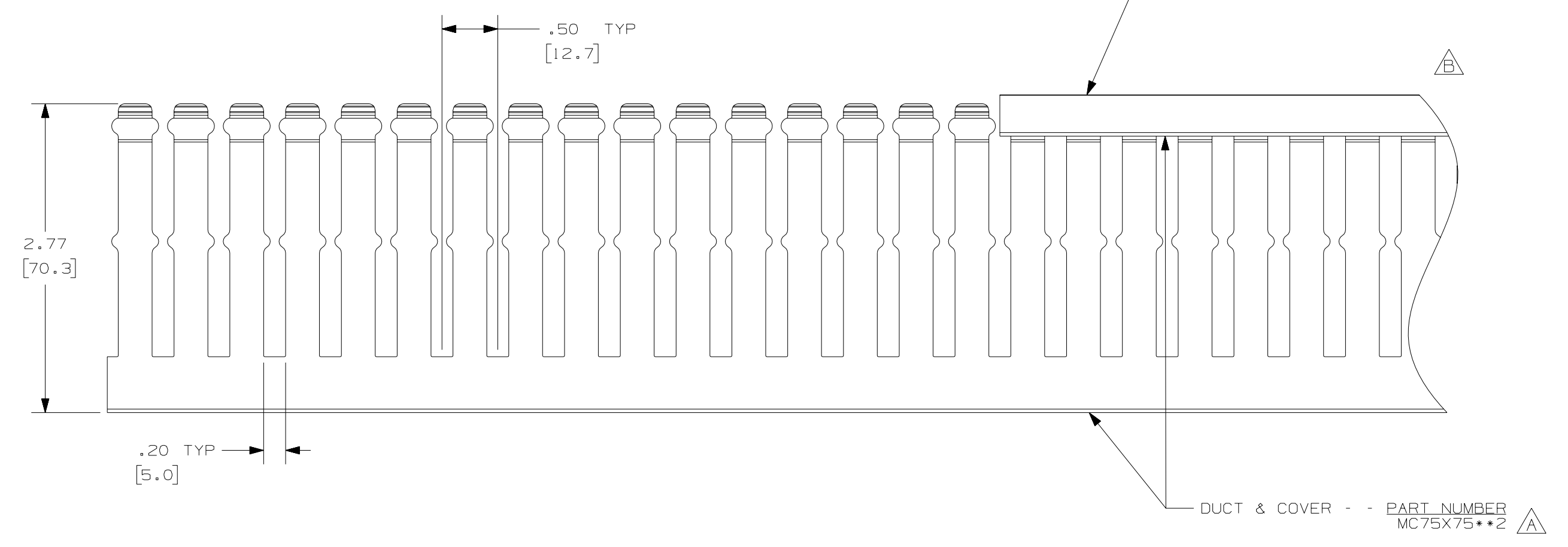
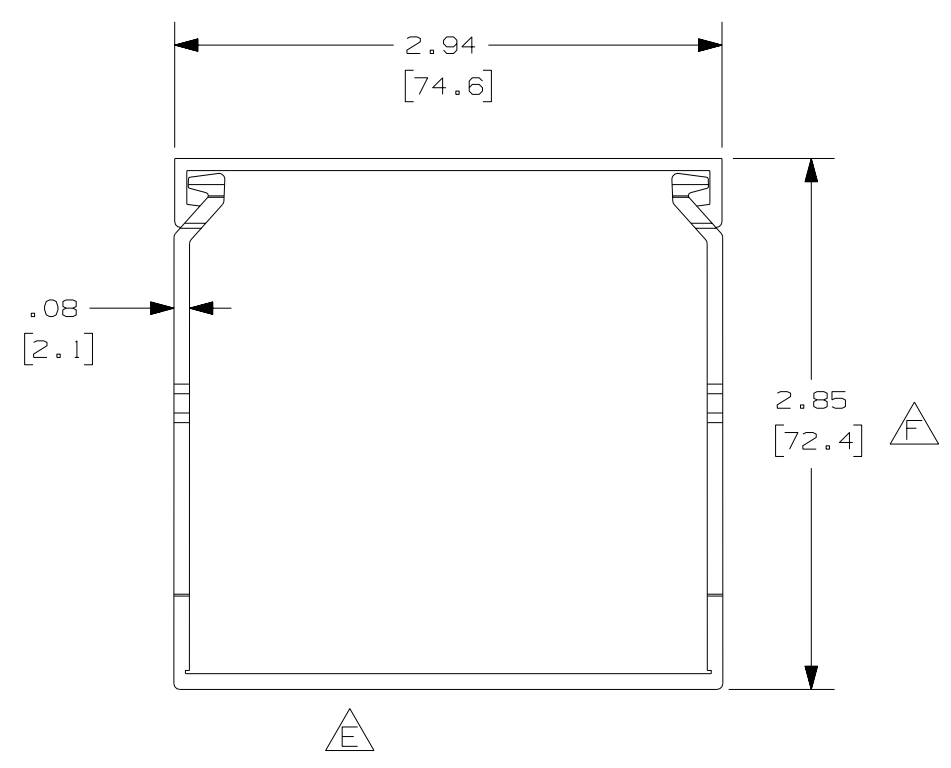
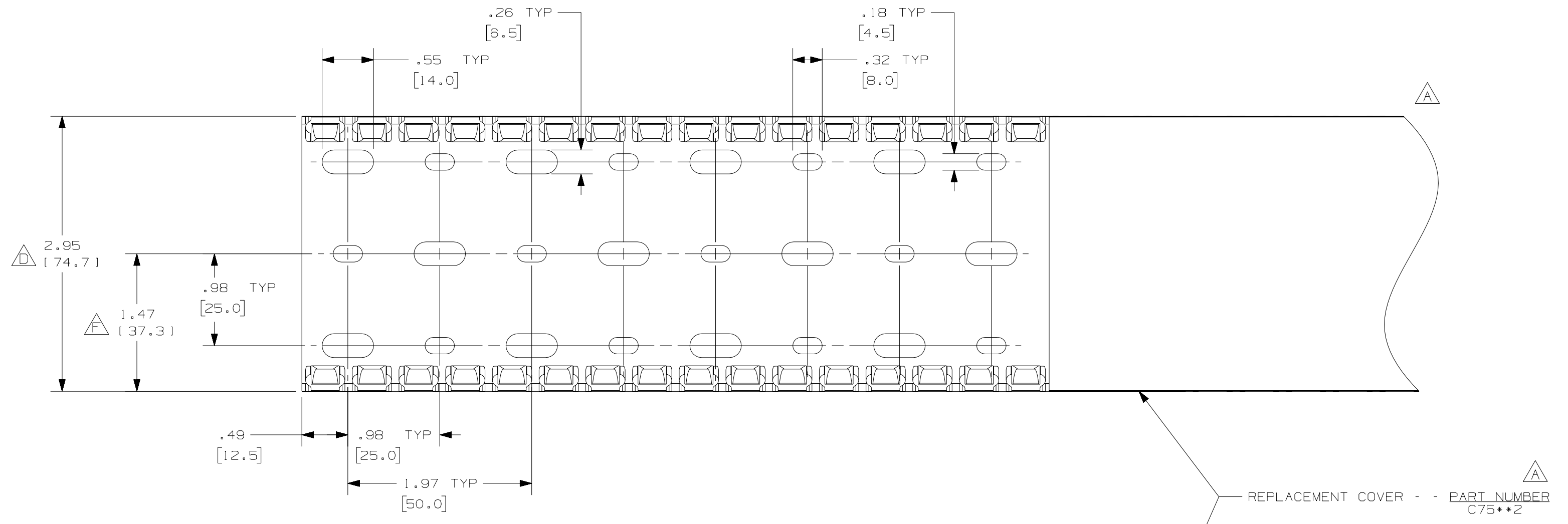


THIS COPY IS PROVIDED ON A RESTRICTED BASIS AND IS NOT TO BE USED IN ANY WAY DETRIMENTAL TO THE INTERESTS OF PANDUIT CORP.



△△

NOTES:

1. ALL DIMENSIONS ARE REFERENCE ONLY.
2. DIMENSIONS IN PARENTHESIS ARE METRIC.
3. THE ** DENOTE COLOR.
4. DUCT AND COVER ARE AVAILABLE IN 6.56 FT, 2 METER [2000.0] LENGTHS.

REV	DATE	BY	CHK	DESCRIPTION
--	-----	---	---	G. ADDED LENGTH NOTE F. CORRECTED DIMENSIONS
2	8-8-07	JCSTMKBE		E. DELETED DIMENSION D. ADDED DIMENSION
--	-----	---	---	C. CHANGED DRAWING SIZE
1	9-22-05	JCSTMKBE		B. CHANGED VIEW A. ADDED TOP VIEW, NOTES, AND LABELS
R	7-1-03	JHNU JGG		DRAWING RELEASED

CAD FILENAME/LAYERS: D11000KG_DC_01B

PANDUIT CORP., TINLEY PARK, ILLINOIS

WIRING DUCT - TYPE MC DUCT WITH COVER
75 X 75
MARKETING DRAWING

DRWN BY: JHNU	MAT'L: PVC	SCALE: FULL
DATE: 7-1-03		DWG NO.: 36897-816
CHECKED BY: JGG		DWG SIZE: C